



# Smart Trolleys the intelligent furniture

A revolutionary furnishing concept.  
Operational units designed to meet your needs.

TROLLEY  
**STeVO**  
SMART



**They are  
so smart  
they know**

**Smm**





art.

how to  
save you  
time



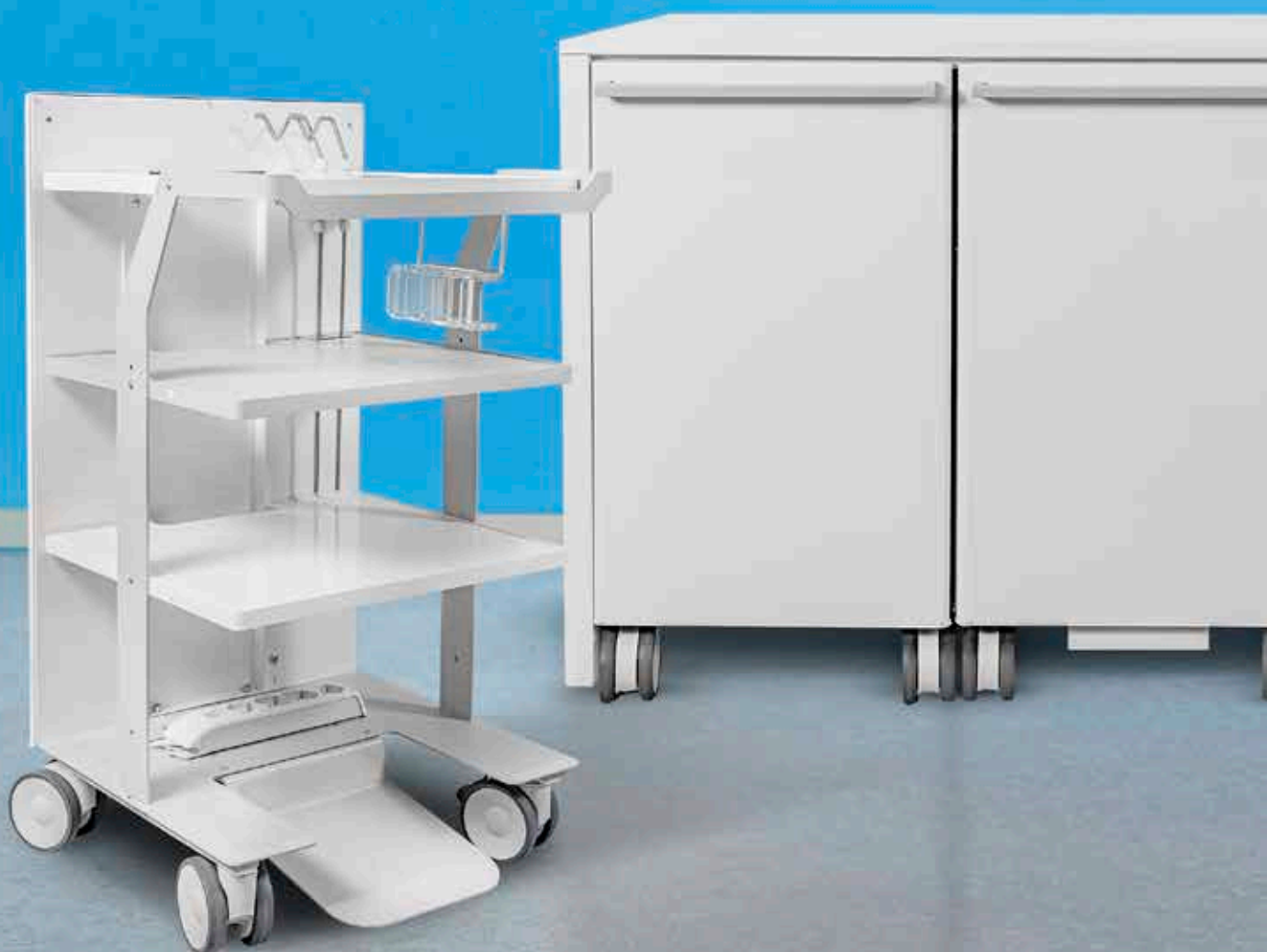
Quality & Design  
**MADE IN ITALY**

 **STeVO**  
TROLLEY  
SMART

The evolution of daily efficiency with the new line  
of professional furnishings for dentistry.  
Even more efficient. Even... smarter.

# Adaptability. The key to evolution.

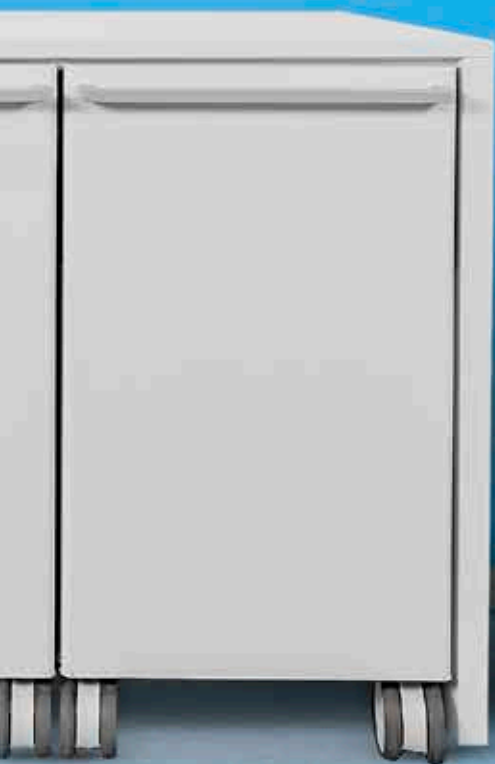
The Smart Trolleys project was created to make work easy and productive. The logical step was to transform furnishings perceived as simple containers, into out and out 100% operational devices. The big advantage is the “adaptability” of the trolleys, to the advantage of the dentist’s operativity, who can thus move as he pleases choosing the most suitable devices for his needs and configuring them as desired.



TROLLEY  
SMART

# STEVO

**Smart Trolley.  
The evolved technical  
furnishings that make  
you more efficient.**



# Smart. Full stop.



In just a second, your work area is transformed. Thanks to the EVO Smart Trolleys your work is flexible, efficient and productive. Your time and that of your staff is optimised. In the eyes of the patient, it takes just a few seconds to switch from a reassuring configuration with all the furnishings neatly stored (and with minimum visual impact of instruments and materials), to a fully operational situation where the furnishings meet the needs of the dental team.

# TROLLEY SMART LSTeVO



Top quality



Materials and high quality construction methods availing of the best made-in-Italy tradition.

Visual tidiness and operativity



Smart Trolley EVO furnishings are designed to provide a professional look and immediate access to your instruments.

Flexibility is the key



Work as you like and with total freedom of movement. Let your environment adapt to you and not the contrary.

# Pre-operative cabinet

## Let's get off to a good start

NEW  
2023



The Smart Trolley Intra model is enriched with a 4-drawer version, and a retractable and swivelling tray arm, which allows to bring instruments and consumables close to the treatment area, on the assistant's side, which can be used during the surgery or the dental care, avoiding unnecessary movements and saving time.



1M small drawer for smaller items such as implants, sutures, and carpule anaesthesia syringes

2M medium drawer for packaged instruments and surgical drawers

Large drawer for larger disposable sterile

**Each operating area needs to provide the operator with what he needs, repeatedly and independently.**

All this finds its place in the Intraoperative Smart Trolley which, when closed, conceals everything inside, and when in the operating set-up, i.e. pulled out of its box, becomes an indispensable instrument.

- It allows you to logically prepare and organise all the equipment and materials needed for the surgery.
- Ensures that everything used is checked.
- Easy to move around, maximum convenience.



# intra.electro.post.



## Modular drawers with space for instruments and materials

- The instruments are all neat and logically arranged
- Professionally organised

## Instrument-holder tray

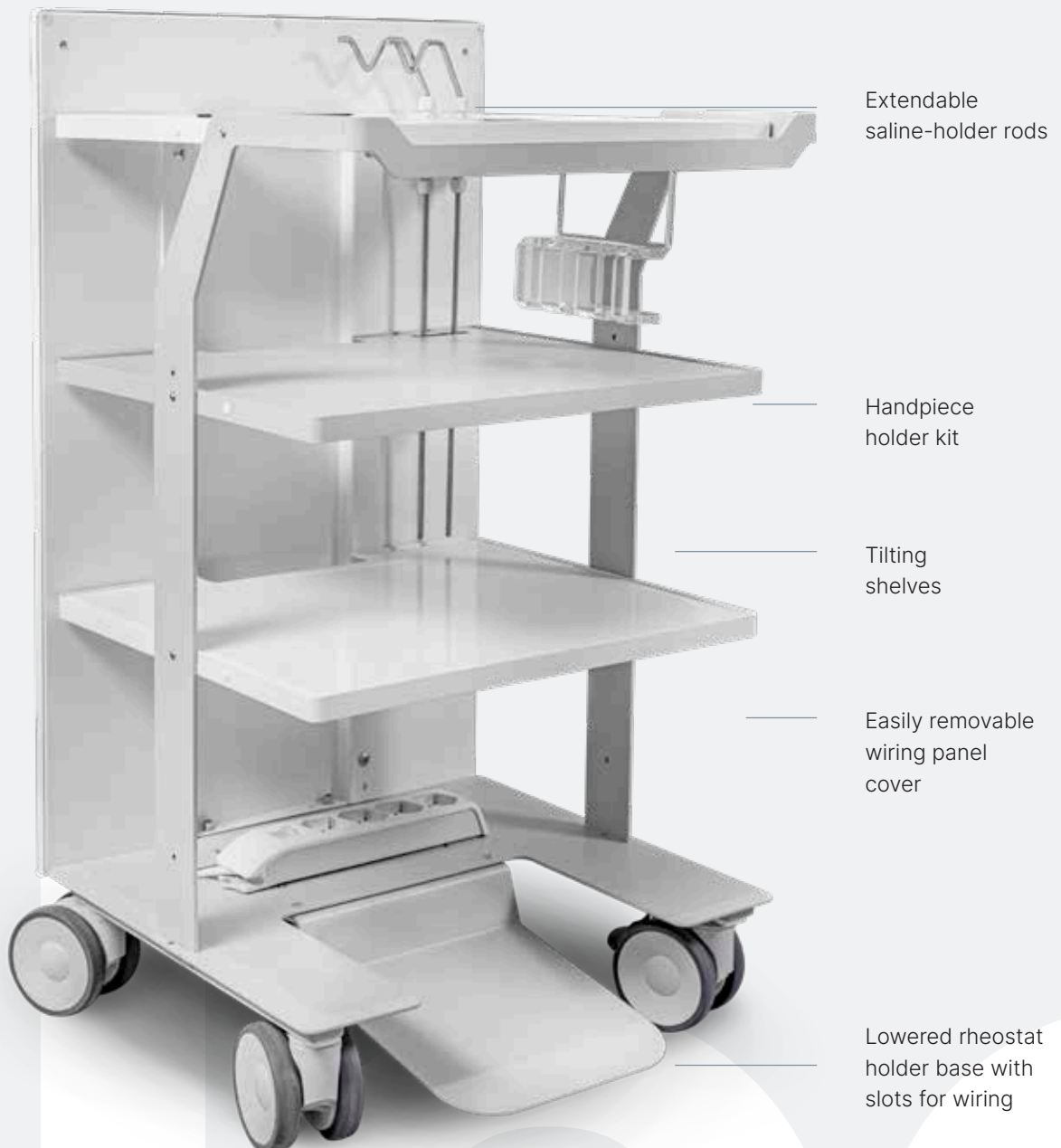
- Works as a fully-fledged cabinet
- Convenient working conditions for staff

## Organisational flexibility

- Can be configured as desired for maximum functionality
- Convenient working conditions for staff and maximum organisational flexibility

# Electromedical cabinet

## We work as well as possible



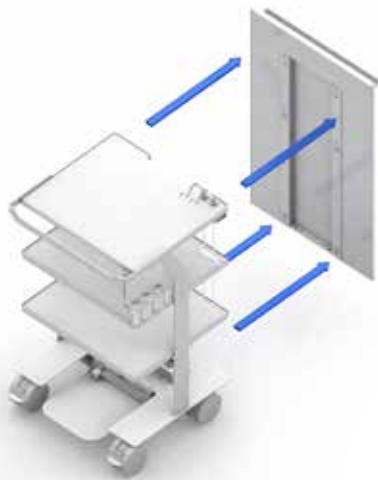
**The amount of electro-medical equipment that dental staff use during dental procedures is significant.**

The solution is the Electromedical Smart Trolley with its own centralised power supply system, modular nature and ability to accommodate bulky control pedals, becomes an indispensable functional and organisational hub.

- It allows surgical motors, piezos and other instruments to coexist easily.
- It ensures easy control of the pedals and direct vision of the control panels.
- It hides cables and conveys an image of tidiness and cleanliness.

# intra.electro.post.

Removable front panel



Maximum flexibility



## Rear wall with space for cabling

- No dangling cables for an impression of order and cleanliness.
- Clinical image

## Holders for saline bags

- Seamless integration with dynamic surgery-related instruments.
- Convenient working conditions for staff

## Adjustable shelves

- Direct vision on the instrument control panel
- Convenient working conditions for staff. Tilting shelves of reduced size but more space to accommodate bigger motors

# Post-operative cabinet

## We finish the job in the best possible way.



**To reduce the time spent and streamline the management of waste and contaminated material, we have developed the Smart Postoperative Trolley.**

Post-operative Smart Trolley, thanks to its built-in decontamination tank and the collection compartments is the hub for collecting and sorting of infected material.

- Separate collection of used and potentially contaminated single-use products
- Pre-disinfection immersion of used instruments and surgical trays
- Optimisation of clinic flow thanks to the sensation of perfection transmitted to the patient
- Perfect management of instrument flows and optimisation of surgical room availability

# intra.electro.post.



**Security and  
functionality**

## 9 litre tank for disinfectant solution

- Immediate pre-disinfection of instruments and surgical trays used.
- Functional effectiveness

## Recycling and separate recycling bin

- Elimination of potentially contaminated disposable products.

## 9 litre tank and separate bins

- Progressive and simultaneous removal of contaminated instruments used in surgery.
- Easy preparation of the room for the next surgery.

# Complete your facility's operability



Dispenser  
for disposable  
products



Lever mixer

Laminate  
worktop  
for sink cabinet

Sink unit with  
knee operated  
waste bin

**Sink-dispenser unit with  
flush stainless steel  
tub and knee-operated  
opening**  
**Perfect integration and  
practicality**

Productivity and efficiency come from optimising the many 'simple gestures' repeated many times a day. With the sink-dispenser unit, the dental team efficiently integrates the SmartTrolley Evo furnishing system and can count on:

- Easy access to disposable materials and their replenishment when depleted
- Easy access to the waste disposal compartment with 'knee' opening
- High quality of mixer, materials and construction standards to reduce maintenance and simplify sanitisation

# +plus.



Efficiency in every detail

### **Stainless steel sink applied flush with counter**

- Combines hygienic qualities of steel with the functionality of a high-strength laminate top
- Aesthetics and ease of sanitisation

### **Knee-operated waste bins**

- Large, easily accessible compartment to keep everything tidy while working quickly
- Pressure opening

### **Dispenser for disposable materials**

- Customisable housings for your disposable products for everyday use
- Three front slits and bottom access for napkins and cups

# What's new? What is better!?

## HQ guides with detachable drawer

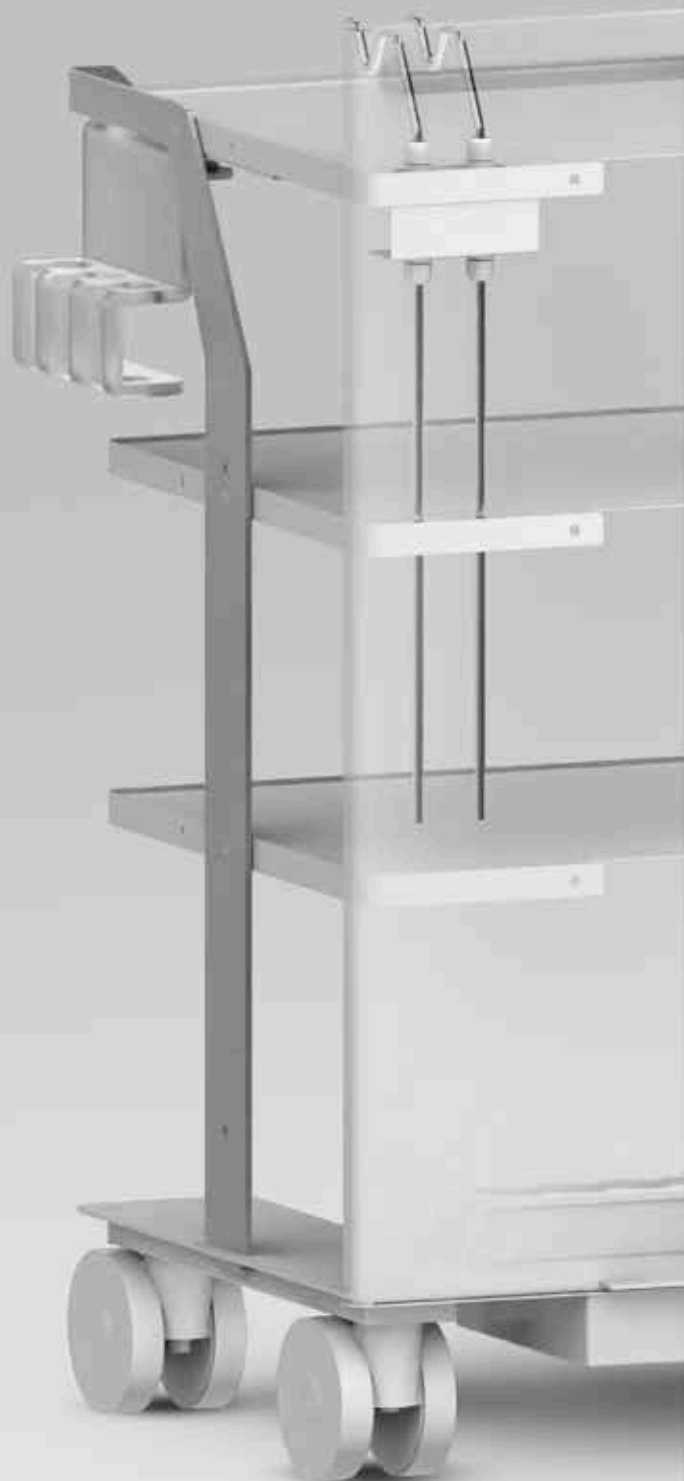


Smooth sliding and Soft Close mechanism (cushioned final stop to closing of the drawer). Guides are tested in continuous use by means of opening and closing cycles with a frequency of 7 cycles per minute. This test guarantees the functionality of the guides for *60,000 cycles equal to a continuous use of more than 20 years.*

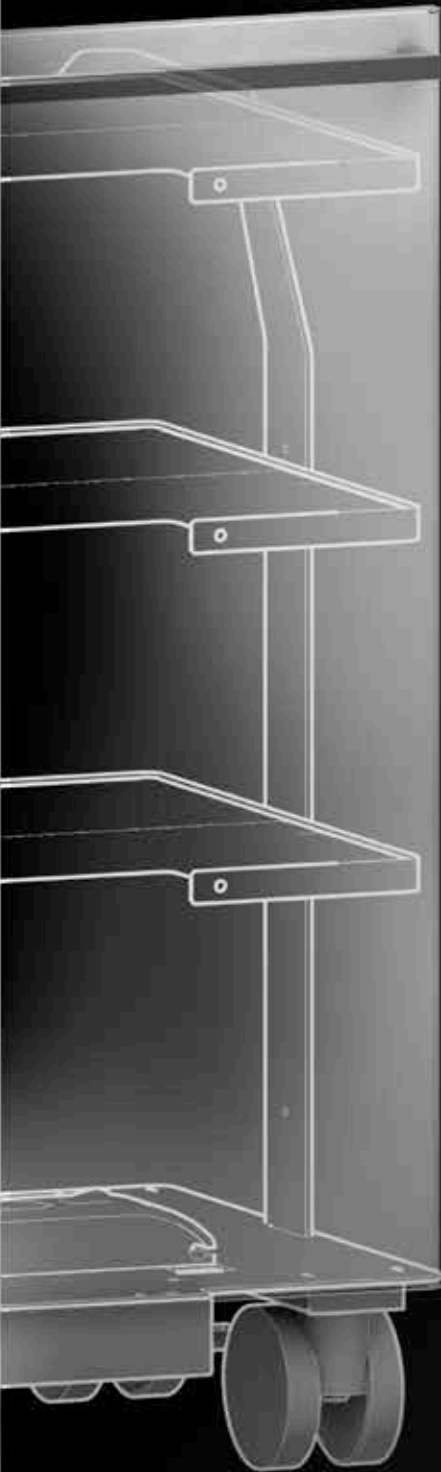
## High quality castors



Smooth-running swivel castors with parking brake. Mounted on ball bearings with a load bearing capacity of 100 kg, thanks to their large diameter (100 mm) they are able to overcome obstacles such as: grouting, joining areas between different floors, small obstacles.







## Antibacterial paint finish



The paint finish, the final element of a high quality production process, is carried out with antibacterial epoxy powders.

The epoxy powder coating is tested and certified with rigorous resistance tests (*scratch and accidental falling objects*) to guarantee integrity of use. In addition, the high quality of the paints used prevents discolouration caused by UV radiation. This coating protects the structure from aggressive substances and prevents surface discolouration.



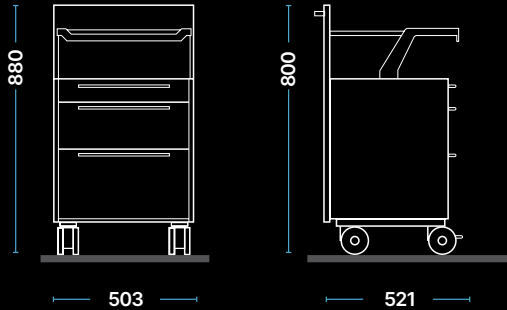
**Safer for use in  
dental environments**



# Technical Data

■ MO031STY

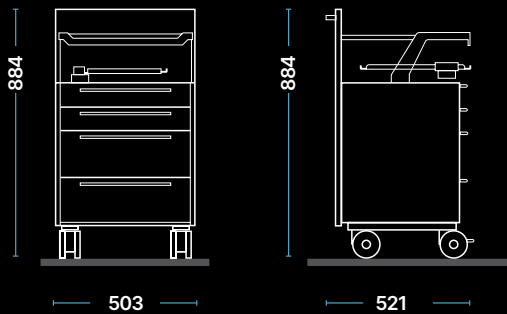
## Smart Trolley Intraoperative



LOW DRAWER  
MEDIUM DRAWER  
HIGH DRAWER  
1 SHALLOW BASIN 8 COMPARTMENTS  
1 DEEP BASIN 4 COMPARTMENTS

■ MO035STY

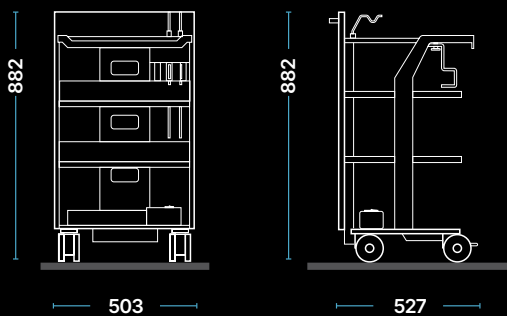
## Smart Trolley Intraoperative with revolving tray



INTRAOPERATIVE SMART TROLLEY  
WITH REVOLVING TRAY  
4 DRAWERS, SMALL, MEDIUM AND  
LARGE  
SMALL DRAWER 1M WITH 8 DIVISIONS  
MEDIUM DRAWER 2M WITH 4  
DIVISIONS  
LARGE DRAWER 3M

■ MO030STY

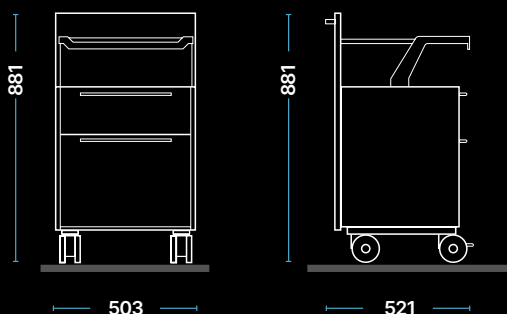
## Smart Trolley Electromedical



TWO TILTING SHELVES  
RHEOSTAT HOLDER PLATFORM  
ELECTRIFICATION KIT  
HANDPIECE AND SALINE HOLDER  
KIT

■ MO032STY

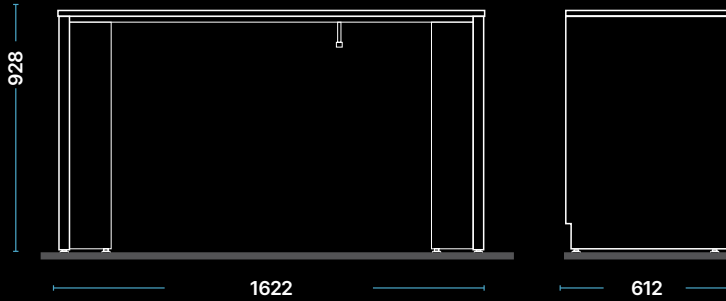
## Smart Trolley Postoperative



MEDIUM DRAWER  
With 9lt stainless steel tank  
and lid  
HIGH DRAWER

■ MO033TY

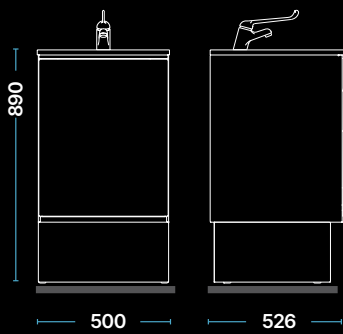
**Smart Trolley  
Structure**



■ MO008STY

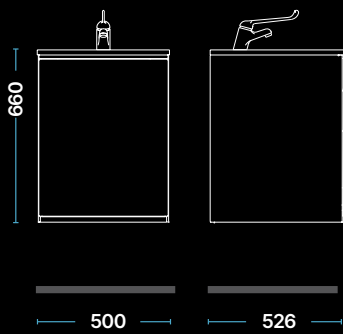
**Lavabo  
with base**

**Smart Trolley  
Accessories**



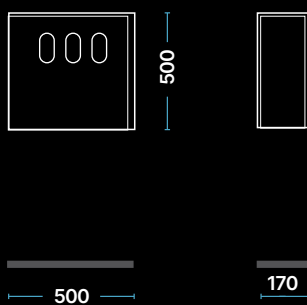
■ MO007STY

**Lavabo  
hanging**



■ MO009STY

**Dispenser**



# Smart Trolleys the intelligent furniture

A revolutionary furnishing concept.



Go to the Smart Trolley Evo page  
on our website



**Tecno-Gaz S.p.A.**

Strada Cavalli, 4 - 43038 - Sala Baganza - Parma - Italy  
Tel. +39 0521 83.80 Fax +39 0521 83.33.91 - [www.tecnogaz.com](http://www.tecnogaz.com)  
Cap. Soc. € 280.000 i.v. C.F. e P.IVA/VAT IT00570950345 - R.E.A. PR 138927 Inscr. Reg. Impr. PR 10061

All rights reserved to Tecno-Gaz S.p.A. Changes to images or content may be made without prior notice.  
Tecno-Gaz S.p.A., shall not be considered liable for damage resulting from the lack or inaccuracy of the information contained in this document. The images used in this document are for illustrative purposes only.



[www.tecnogaz.com](http://www.tecnogaz.com)

